

ICAO – INSTRUMENT APPROACH CHART

REMARK: FINAL TRACK OFF SET 1.71' FROM RWY CENTER LINE

APP Ronchi Approach

119.175

TWR Ronchi Tower

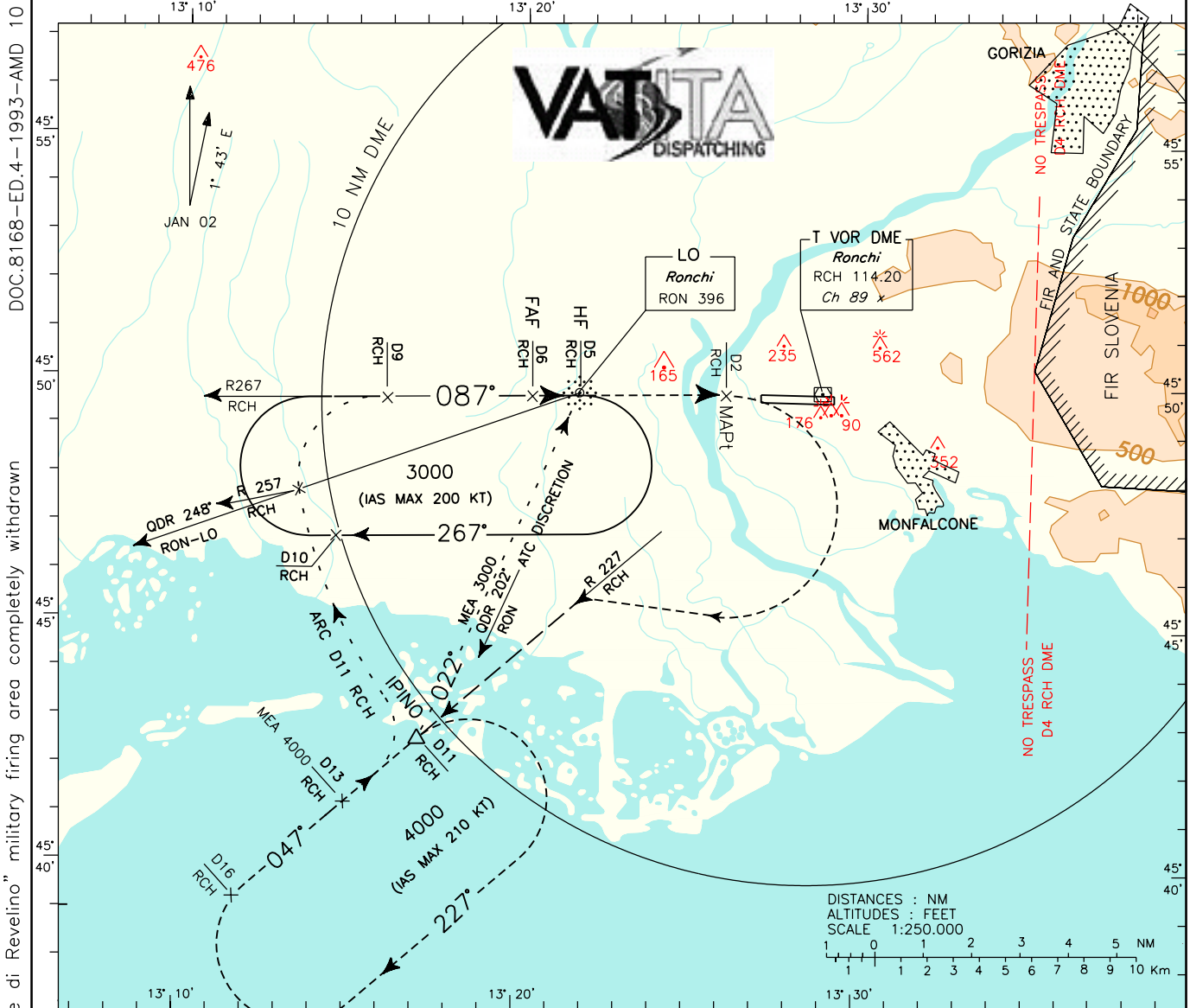
130.20

AD ELEV

37

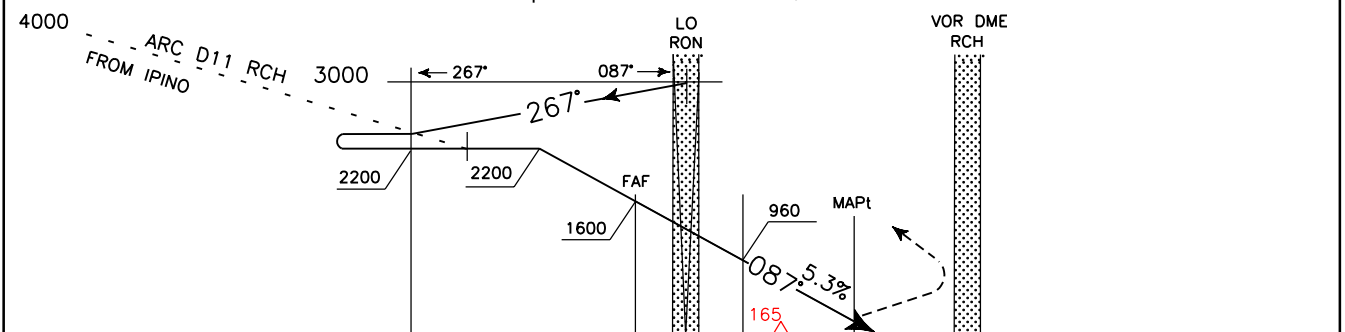
L  
I  
P  
Q

TRIESTE  
RONCHI DEI LEGIONARI  
VORDME-P RWY 09



CHANGE: "Lame di Revelino" military firing area completely withdrawn

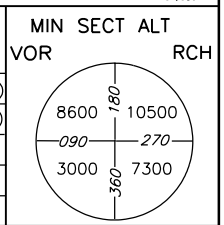
TRANSITION ALT 5000 MISSED APPROACH: Not later than 2 NM before RCH VOR DME turn right climbing to 3000 Ft (IAS ≤ 200 KT during turn) to intercept and follow R227 to IPINO point.



D17	D16	D15	D14	D13	D12	D11	D10	D9	D8	D7	D6	D5	D4	D3	D2	D1	0	D1	D2	D3	D4	D5	D6			
DME RCH																	THR		ELEV 37		DME RCH					
15																	1		2		8					
NM																	NM		NM							

OCA (OCH)		A	B	C	D
STRAIGHT IN APPROACH	VOR+DME	500 (463)			
CIRCLING (*)		600 (563)	700 (663)	1200 (1163)	

CIRCLING SECTORS: Only South of RWY					
GS	FT PER MIN	FAF-MAPt	MAPt-THR	DME RCH	ALT (HGT)
80	425	3 : 00	0 : 32	6	1600(1563)
100	535	2 : 24	0 : 26	5	1280(1243)
120	640	2 : 00	0 : 22	4	960(923)
140	745	1 : 42	0 : 18	3	640(603)
160	855	1 : 30	0 : 16	2	320(283)



ICAO - INSTRUMENT APPROACH CHART

REMARK: THIS PROCEDURE SHALL BE USED IN CASE OF ACTIVATION OF LAME DI REVELLINO FIRING AREA.

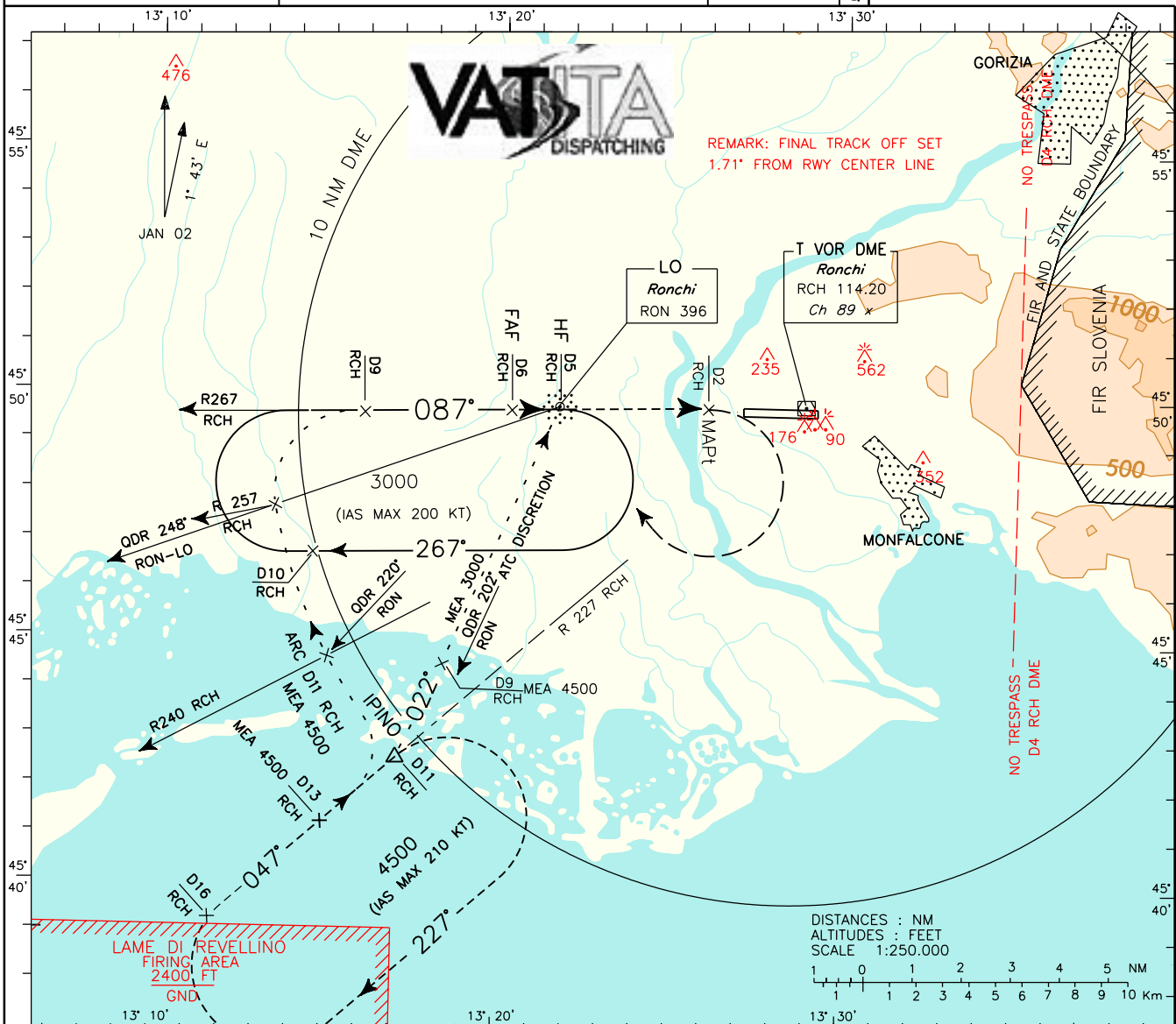
APP Ronchi Approach TWR Ronchi Tower  
119.175 130.20

AD ELEV  
37

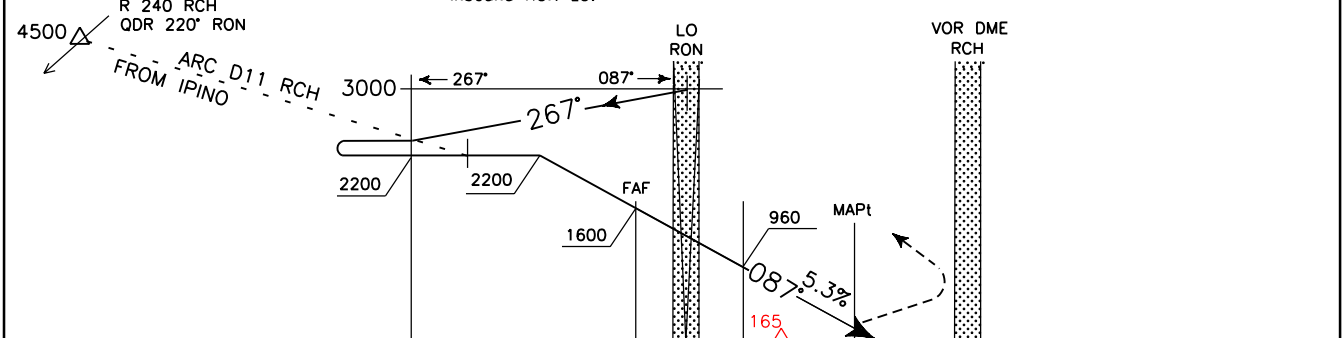
TRieste  
RONCHI DEI LEGIONARI  
VORDME-S RWY 09

CHANGE: NEW APP FREQUENCY

DOC.8168-ED.4-1993-AMD 10



TRANSITION ALT 5000 MISSED APPROACH: Not later than 2 NM before RCH VORDME turn right (IAS MAX 200 KT), climbing to 3000 Ft inbound RON LO.



D17	D16	D15	D14	D13	D12	D11	D10	D9	D8	D7	D6	D5	D4	D3	D2	D1	0	D1	D2	D3	D4	D5	D6		
DME RCH																THR		ELEV 37		DME RCH					
15	14	13	12	11	10	9	8	7	6	5	4	3	2	1	0	1	2	3	4	5	6	7	8		
NM																NM									

STRAIGHT IN APPROACH	OCA (OCH)	A	B	C	D
	VOR+DME	500 (463)			
CIRCLING (*)		600 (563)	700 (663)	1200 (1163)	

**CIRCLING SECTORS:**  
Only South of RWY

**NOT ALLOWED**

for CAT C/D ACFT remain within 4 NM RCH VOR DME.

GS	FT PER MIN	FAF-MAPt	MAPt-THR	DME RCH	ALT (HGT)
80	425	3 : 00	0 : 32	6	1600(1563)
100	535	2 : 24	0 : 26	5	1280(1243)
120	640	2 : 00	0 : 22	4	960(923)
140	745	1 : 42	0 : 18	3	640(603)
160	855	1 : 30	0 : 16	2	320(283)

